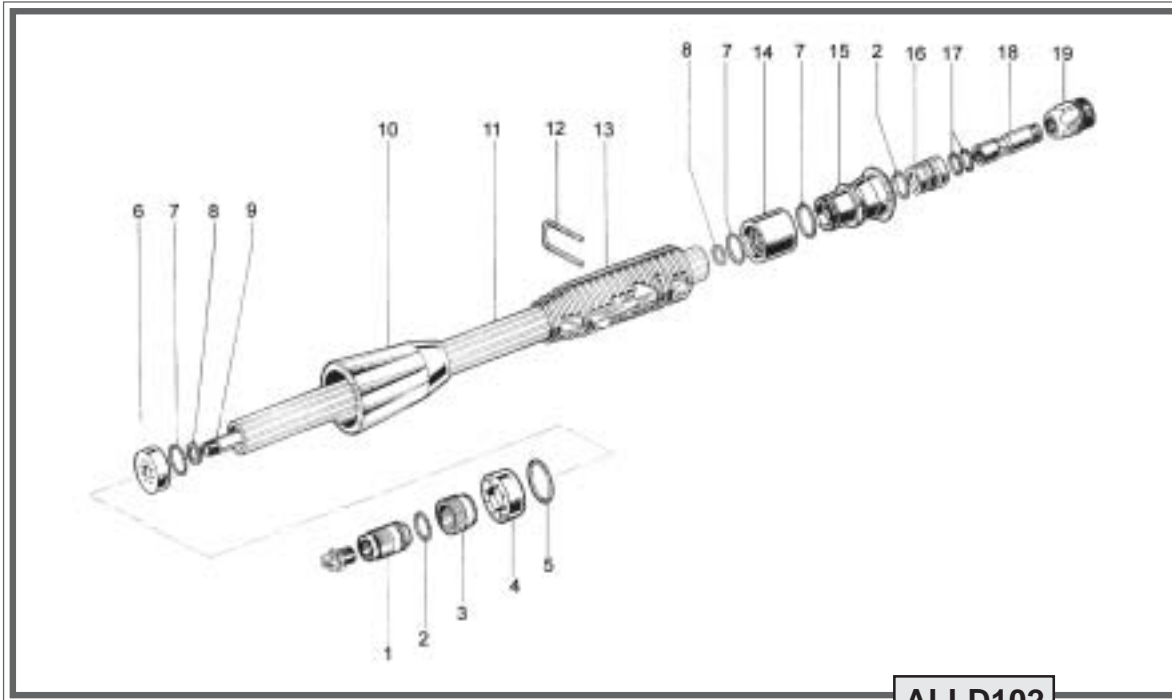


“LD102” Dual Lance

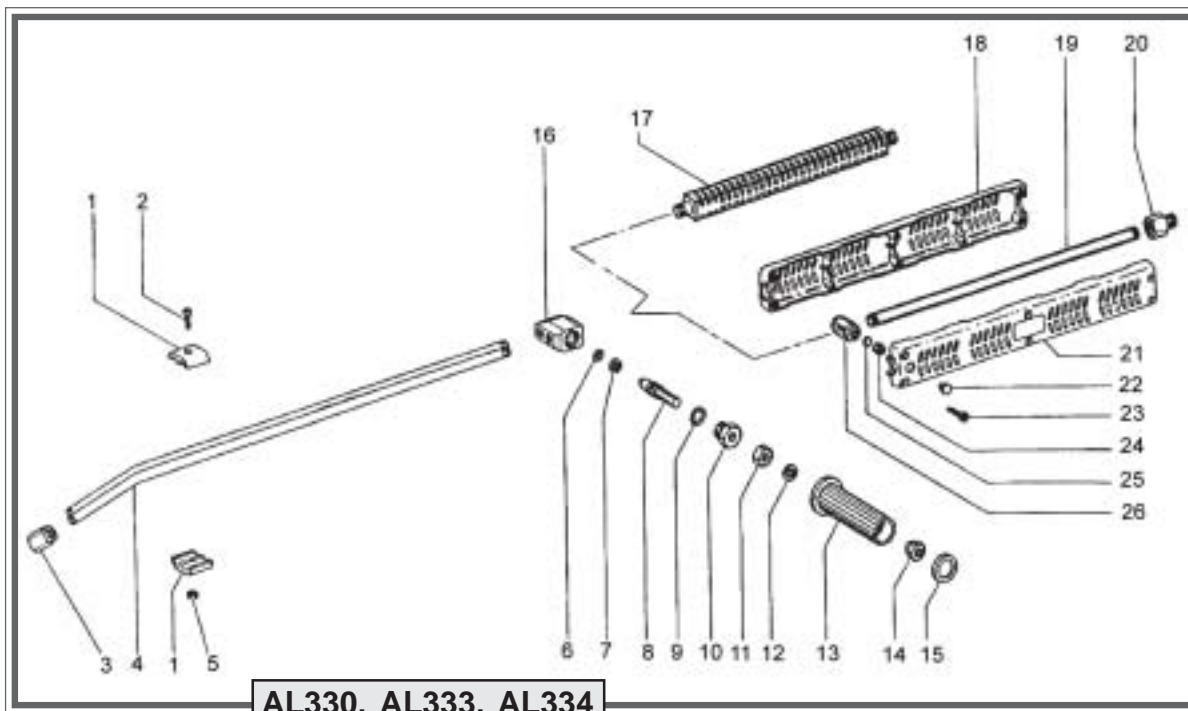


ALLD102

POS	CODE	QTY	DESCRIPTION
1	113-150085	1	Nozzle holder
2	005-060108	2	O-ring 2068 70SH
3	113-060027	1	Locking ring nut (for L.P.N.)
4	113-170312	1	∅ 3,5 low pressure nozzle (L.P.N.)
	113-170313	1	∅ 4 low pressure nozzle (L.P.N.)
	113-170314	1	∅ 4,5 low pressure nozzle (L.P.N.)
	113-170315	1	∅ 5 low pressure nozzle (L.P.N.)
5	113-060160	1	O-ring 28 x 2 70SH
6	113-170309	1	∅ 5,5 low pressure nozzle (L.P.N.)
7	113-060155	3	O-ring 19 x 2 70SH
8	113-150114	2	∅ 10,2 x 14 x 1,5 washer
9	113-471335	1	480 mm (18,9") S.S. pipe
	113-471336	1	560 mm (22") S.S. pipe
	113-471337	1	700 mm (27,6") S.S. pipe

POS	CODE	QTY	DESCRIPTION
10	113-130121	1	Rubber nozzle protector
11	113-000700	1	450 mm (17,7") alluminum pipe
	113-000701	1	530 mm (20,9") alluminum pipe
	113-000702	1	670 mm (26,3") alluminum pipe
12	113-050203	1	S.S. holding clamp
13	113-100129	1	Sliding handle
14	113-010007	1	Seat for distributor
15	113-030500	1	Insert holder distributor
16	113-080033	1	Distributor insert
17	113-060154	2	O-ring 2056 90SH
18	113-130009	1	Distributor spool
19	101-150005	1	M22 coupling

“Horizontal” Dual Lance

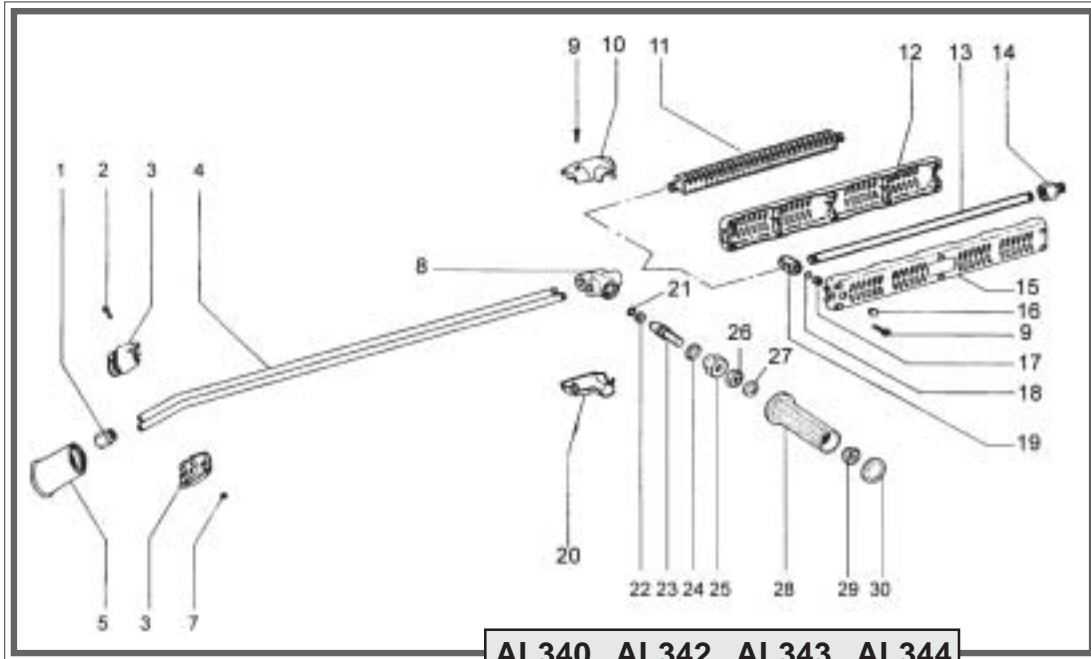


AL330, AL333, AL334

POS	CODE	QTY	DESCRIPTION
1	004-050001	2	Clamp
2	004-190101	1	M4 screw
3	AL1814	2	1/8 FEM. GAS - 1/4 FEM. NPT nipple (330, 333)
	AL1818	2	1/8 FEM. GAS - 1/8 FEM. NPT nipple (334)
4	004-471116	2	1/8 GAS 585 mm (23") zinc. pipe (333, 334)
	004-471311	2	1/8 GAS 585 mm (23") S.S. pipe (330)
5	004-030205	1	M4 nut
6	004-060113	1	O-ring 2031 viton
7	004-000103	1	Back-up ring
8	004-160503	1	Stem
9	004-060112	1	O-ring 3056 70SH
10	004-150012	1	Stem union
11	004-030201	1	M10 nut
12	103-150202	1	ø 10,5 x 21 x 2 washer
13	004-100109	1	Handle

POS	CODE	QTY	DESCRIPTION
14	004-080016	1	Fitting for handle
15	004-170009	1	Handle plug
16	004-020006	1	I15 body
17	AL352	1	SF12 300 mm (11,8") melted grip
18	004-160130	1	SC5 body frame
19	004-471118	1	380 mm (15") zinc. pipe
20	004-450100	1	1/4 MAL. GAS adaptor reducer
21	004-160129	1	SC5 body frame
22	004-130105	1	Plastic plug
23	004-190003	6	ø 3,5 x 18 screw
24	004-060302	1	Screw
25	004-150109	1	ø 8,3 x 1,5 copper
26	004-080014	1	Brass frame
	004-650300	3	Repair kit

“Safety” Dual Lance

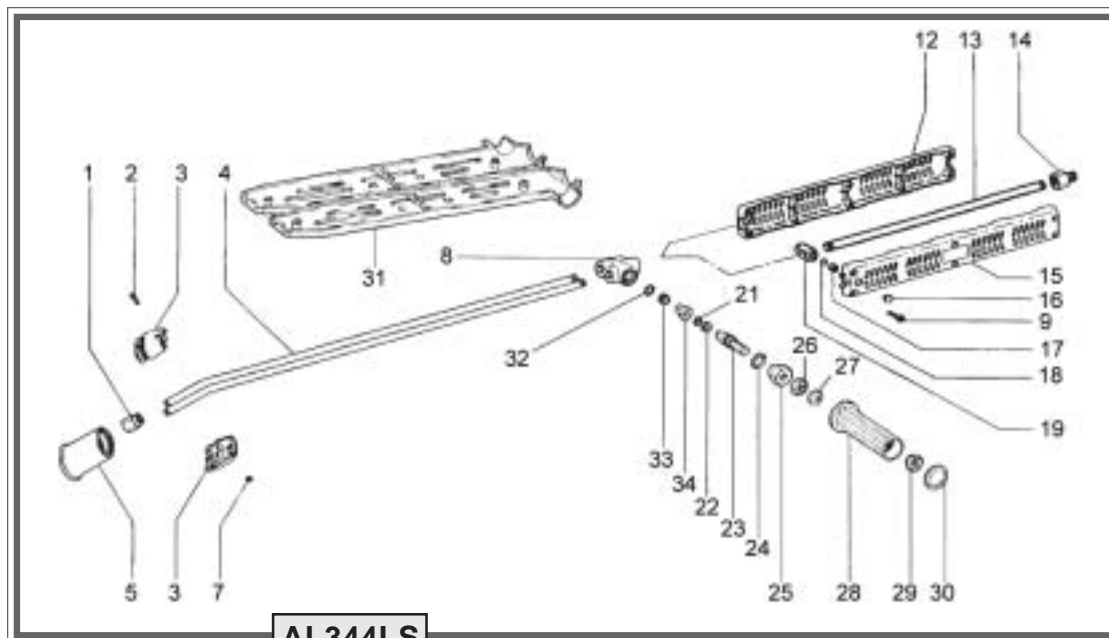


AL340, AL342, AL343, AL344

POS	CODE	QTY	DESCRIPTION
1	004-400602	2	1/8 FEM. GAS - 1/4 FEM. NPT nipple
	004-400603	2	1/8 FEM. GAS - 1/8 FEM. NPT nipple
2	004-190102	2	M4 x 20 screw
3	004-100400	1	1/8 GAS Clamp
4	004-471116	2	1/8 GAS 585 mm (23") zinc. pipe
	004-471311	2	1/8 GAS 585 mm (23") S.S. pipe
5	004-130102	1	Nozzle protector
7	004-030205	2	M4 nut
8	004-020036	1	118 body
	004-020045	1	1/4 x 1/4 body (AL343, AL344)
9	004-190003	7	ø 3,5 x 18 screw
10	004-160148	1	Upper plastic protector
11	004-380013	1	SF12 300 mm (11,8") melted grip
12	004-160130	1	SC5 body frame
13	004-471118	1	380 mm (15") zinc. pipe
14	004-450100	1	1/4 MAL. GAS adaptor reducer
15	004-160129	1	SC5 body frame

POS	CODE	QTY	DESCRIPTION
16	004-130105	1	Plastic plug
17	004-060302	1	Screw
18	004-150109	1	ø 8,3 x 1,5 copper
19	004-080014	1	Brass frame
20	004-160149	1	Lower plastic protector
21	004-060113	1	O-ring 2031 viton
22	004-000103	1	Back-up ring
23	004-160512	1	Stem
24	004-060112	1	O-ring 3056 70SH
25	004-150012	1	Stem union
26	004-030201	1	M10 nut
27	103-150202	1	ø 10,5 x 21 x 2 washer
28	004-100109	1	Handle
29	004-080016	1	Fitting for handle
30	004-170009	1	Handle hit
	004-650300	3	Repair kit

“Safety” Dual Lance with Seat



AL344LS

POS	CODE	QTY	DESCRIPTION
↑	AL1414	2	1/4 FEM. GAS - 1/4 FEM. NPT nipple
	AL1814	2	1/4 FEM. GAS - 1/8 FEM. NPT nipple
2	004-190102	2	M4 x 20 screw
3	004-100400	1	1/4 GAS Clamp
4	004-471333	2	1/4 GAS 585 mm (23") S.S. pipe
5	004-130102	1	Nozzle protector
7	004-030205	2	M4 nut
8	004-020045	1	1/4 body
9	004-190003	7	∅ 3,5 x 18 screw
10	004-160134	1	Upper plastic protector
11	004-380013	1	SF12 300 mm (11,8") melted grip
12	004-160179	1	SC5 body frame
13	004-471332	1	380 mm (15") S.S. pipe
14	004-450100	1	1/4 MAL. GAS adaptor reducer
15	004-160180	1	SC5 body frame
16	004-130105	1	Plastic plug
17	004-060302	1	Screw
18	004-150109	1	∅ 8,3 x 1,5 copper

POS	CODE	QTY	DESCRIPTION
19	004-080014	1	Brass frame
20	004-160135	1	Lower plastic protector
21	004-060113	1	O-ring 2031 viton
22	004-000103	1	Back-up ring
23	004-160512	1	Stem
24	004-060112	1	O-ring 3056 70SH
25	004-150012	1	Stem union
26	004-030201	1	M10 nut
27	103-150202	1	∅ 10,5 x 21 x 2 washer
28	004-100109	1	Handle
29	004-080016	1	Fitting for handle
30	004-170009	1	Handle hit
31	004-160171	1	1/4 GAS body protection pipe
32	102-060117	1	O-ring 108 viton
33	004-160212	1	Seat
34	004-030300	1	Spacer
	004-650300	3	Repair kit